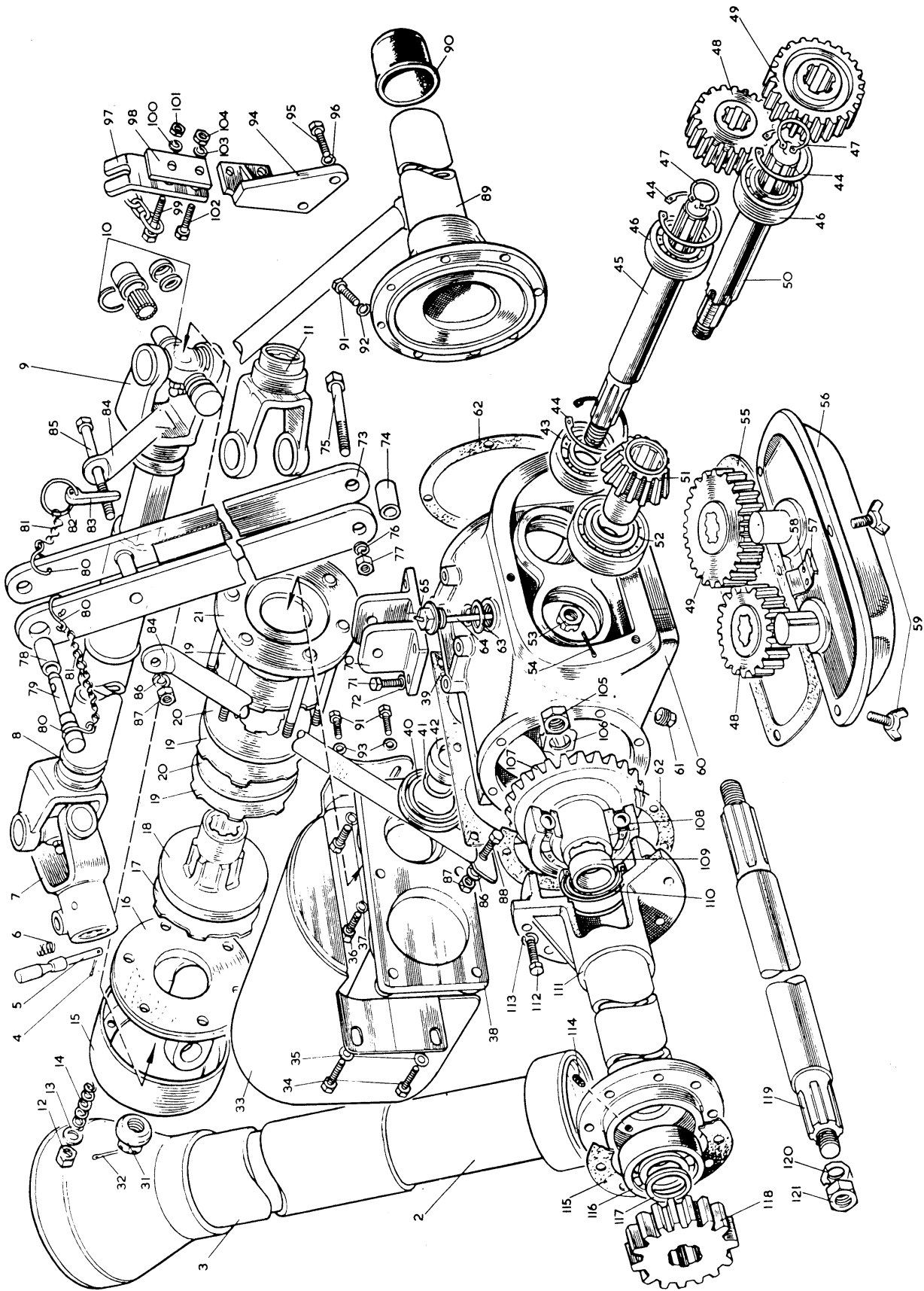




ROTAVATOR P series

Reservedelsliste
Spare parts list
Ersatzteilliste
Onderdelenlijst
Liste de pièce de rechange
Lista de Piezas
Parti di ricambio



Drive Shaft, Clutch, Gearbox, Jackshaft Assemblies

See page 1 for illustration numbers 1 - 59
See page 2 for illustration numbers 60 - 121

Howard Rotavator P Series Parts List

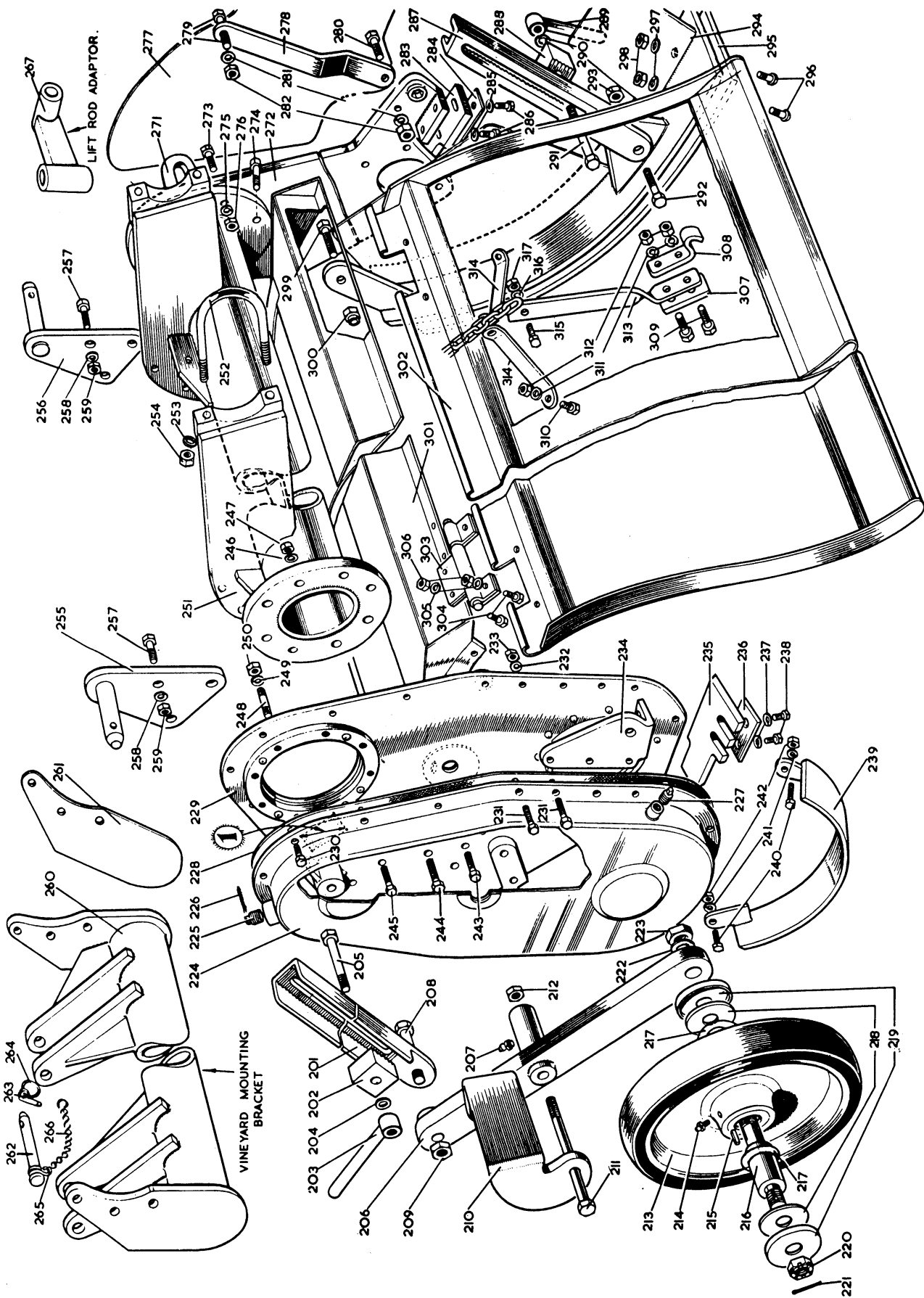


IMPORTANT. When ordering spare parts always give the serial number of your machine. This number is stamped on the brass plate on the inside of the Chaincase backplate (Illus. No. 229) above the shield, and again on the right-hand mounting flange. Give the part number (not the illustration number) and description. We cannot guarantee that correct parts will be supplied unless these numbers are quoted.

In the parts list all directions are described 'Left' or 'Right' from behind the machine.

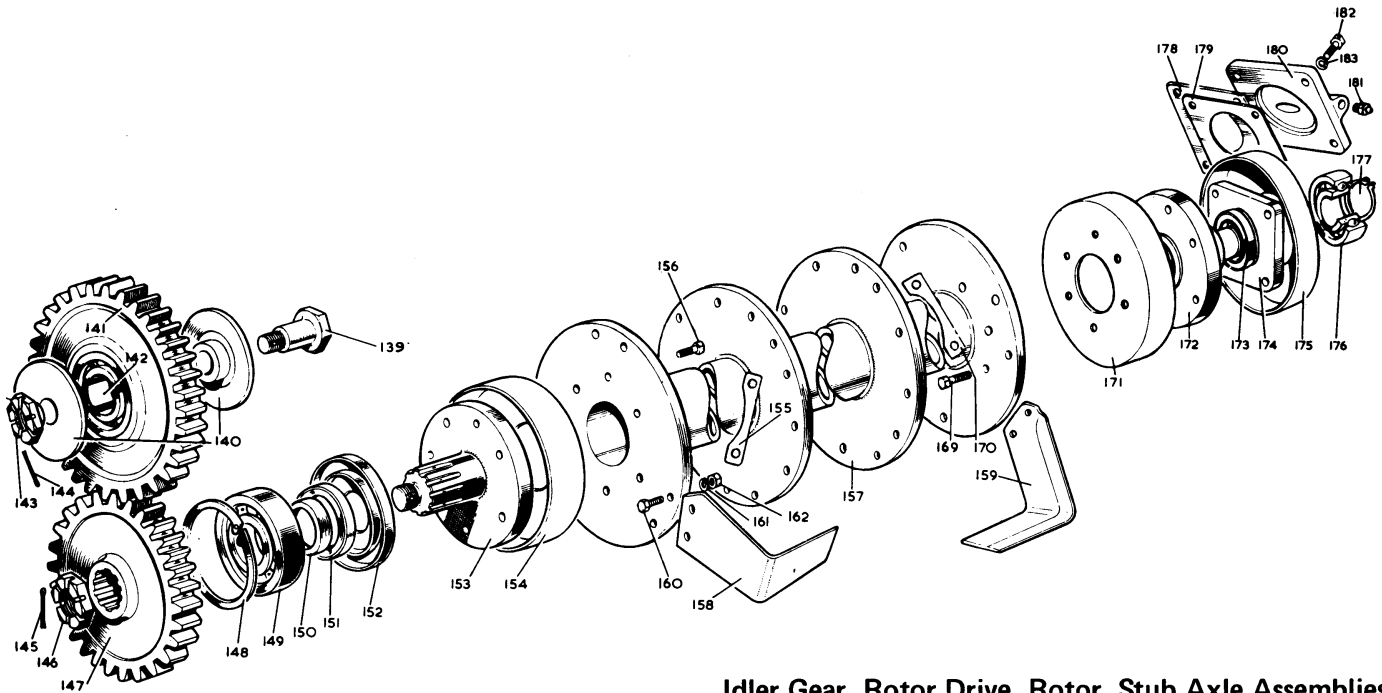
Illus. No.	Part No.	Description	No. off	Illus. No.	Part No.	Description	No. off
1	60954	Serial Number Plate	1	15	61658	Clutch Cover	1
UNIVERSAL JOINT ASSEMBLY (Moss Gear) BLACK GUARD				16	61806	Clutch Plate—for Moss Gear UJ	1
	62792	Universal Joint Assembly 1 3/8" for Safety Clutch	1		61179	Clutch Plate—for BRD. UJ	1
	62790	Universal Joint Assembly 1 1/8" for Safety Clutch	1	17	56184	Lipped Friction Disc	1
	62793	Universal Joint Assembly 1 3/8" without Safety Clutch	1	18	62995	Clutch Disc	1
	62791	Universal Joint Assembly 1 1/8" without Safety Clutch	1	19	61652	Friction Disc	3
		comprising:—		20	56185	Wearing Disc	2
2	204010210	Inner Guard for use with Safety Clutch—3A. SA 41/1120	1	21	61159	Pressure Plate	1
	204010250	Inner Guard for use without Safety Clutch—3A. SA 41/1428	1	22–30 not allocated			
3	204010030	Outer Guard—3A. SA 40/1512	1	GEARBOX ASSEMBLY			
4	204011550	Cotter 21234/4 } For use with	1	31	51151	Special Nut	1
5	204011270	Pin 3A. 27 } 1 3/8" Yoke	1	32	208010290	Splitpin 5/32" dia. x 1 3/8" long	1
6	204011280	Spring 3A. 28	1	33	64539	Clutch Cover	1
7	204008490	Yoke PTO End 1 3/8" 3A. 8D	1	34	101206120	Bolt 3/8" UNC x 1 1/2" long	2
	204008130	Yoke PTO End 1 1/8" 3A. 8. DJ } alternative	1	35	108061130	Shakeproof Washer 3/8" dia. Internal	2
	61598	Pin } fitment	1	36	101406080	Setscrew, End Cover to Gearbox 3/8" UNC. x 1" long	4
	3196	Clip Pin	1	37	108061140	Spring Washer 3/8" dia.	4
8	204009280	Yoke and Tube 4A. SA. 65/1524	1	38	64530	End Cover	1
9	204009250	Yoke and Shaft 4A. SA. 64/1504	1	39	64541	End Cover Gasket	1
10	204011300	Spider Kit—including Journal Lubricator 3A. SA. 17	2	40	262720041	Oilseal 2 3/4" o.d. x 2" i.d. x 3/8" w. Pioneer type 11P. 275.200.37	1
11	62536	Yoke Attachment End for use without Safety Clutch 3A. 8 BB	1	41	202023370	'O' Ring 1 3/8" i.d. x 1 5/8" o.d. x 139—PO.162.137.13	1
UNIVERSAL JOINT ASSEMBLY—BRD (Red Guard) supersedes (Moss Gear) Universal Joint Assembly				42	64542	Universal Joint Collar—for use with Safety Clutch	1
	700300	Universal Joint Assembly Complete	1	43	253580211	Ballbearing 80mm o.d. x 35mm i.d. x 21mm w. BRM. 035	1
	204010420	Atkinson Universal Joint Guard Complete—BRD Part No. 55/311407	1	44	208001320	Circlip 80mm dia. Internal	3
2	204010530	Guard Outer SN/B/52F	1	45	64526	Extension Shaft	1
3	204010540	Guard Inner SN/B/52M	1	46	253580217	Roller Bearing 80mm o.d. x 35mm i.d. x 21mm w. RRM035	2
	700302	Universal Joint Half Shaft Assembly—Tractor End BRD. Part No. AO. 45/705486	1	47	208002090	Circlip 1 3/8" dia. External	2
	700304	Universal Joint Half Shaft Assembly—Attachment End BRD Part No. AO. 45/705485	1	48	64534	Pick-off Gear 22T. } Standard	1
	204008450	Quick Release Yoke Assembly AO. 45/502153	1	49	64536	Pick-off Gear 24T. } Standard	1
4	204011960	Split Cotter Pin AO. 3/245531	1		64532	Pick-off Gear 20T. } Standard	1
	204011890	Washer AO. 3/245532	1		64538	Pick-off Gear 26T. } Standard	1
5	204011900	Plunger AO. 3/245641	1		64533	Pick-off Gear 21T. } Standard	1
6	204011600	Spring AO. 3/245348	1		64537	Pick-off Gear 25T. } Standard	1
7	204008460	Yoke AO. 45/206082	1		62984	Pick-off Gear 18T. } Alternatives	1
8	204009730	Yoke Tube AO. 45/775486	1		62983	Pick-off Gear 28T. } Alternatives	1
9	204009740	Yoke Shaft AO. 45/775485	1		64535	Pick-off Gear 23T. } Alternatives	2
10	204011940	Spider Assembly 045/502963	2		68455	Pick-off Gear 14T. } Alternatives	1
	204011910	Lubricator 245065	2		68456	Pick-off Gear 32T. } Alternatives	1
	204011990	Gasket 045/245005	8		68457	Pick-off Gear 16T. } 1000 RPM	1
	204011980	Gasket Retainer 045/245004	8		68458	Pick-off Gear 30T. } PTO Tractors	1
	204011950	Circlip 05/245032	8		68459	Pick-off Gear 17T. } PTO Tractors	1
					68460	Pick-off Gear 29T. } PTO Tractors	1
CLUTCH ASSEMBLY				50	67903	Pinion Shaft	1
12	107108010	Nut 1/2" UNF	6	51	67904	Pinion	1
13	108081610	Washer 1/2" dia.	6	52	254090232	Ballbearing 40mm i.d. x 90mm o.d. x 23mm w. (Hoff. 340 ACD.)	1
14	5025	Clutch Spring	6	*53	67905	Special Nut	1
				*54	208010230	Splitpin 1/8" dia. x 1 1/4" long	1
				55	64706	Gasket	1
				56	69337	Cover Plate Sub Assembly	1
						comprising:—	
					64705	Cover Plate	1
					69335	Splined Stub	1
					69336	Plain Stub	1
					101406060	Setscrew 3/8" UNC. x 3/4" long, Hex. Head	2
					108061140	Spring Washer 3/8" dia.	2
				57	64729	Spring Clip	1
				58	208031010	Rivet 1/8" dia. x 3/8" long, Round Head	2
				59	64808	Special Bolt	3

*Required up to Machine Serial Number 6232007 only.



Depth Control, Backplate and Gearcase, Staytube, Support Arm, Shield Assemblies

See page 2 for illustration numbers 139 - 212



Idler Gear, Rotor Drive, Rotor, Stub Axle Assemblies

DIAGRAM 'B' ILLUSTRATING THE FOLLOWING ASSEMBLIES

- | | | |
|-------------|---|------------|
| IDLER GEAR | } | See page 2 |
| ROTOR DRIVE | | |
| ROTOR | | |
| STUB AXLE | | |

DIAGRAM 'C' (OVERLEAF) ILLUSTRATING THE FOLLOWING ASSEMBLIES

	<i>See Page No.</i>
DEPTH CONTROL (NOT PG) (See page 4 for PG Depth Control)	2
BACKPLATE AND GEARCASE	3
STAYTUBE	3
SUPPORT ARM	3
SHIELD	3

HOWARD ROTAVATOR P SERIES - Parts List

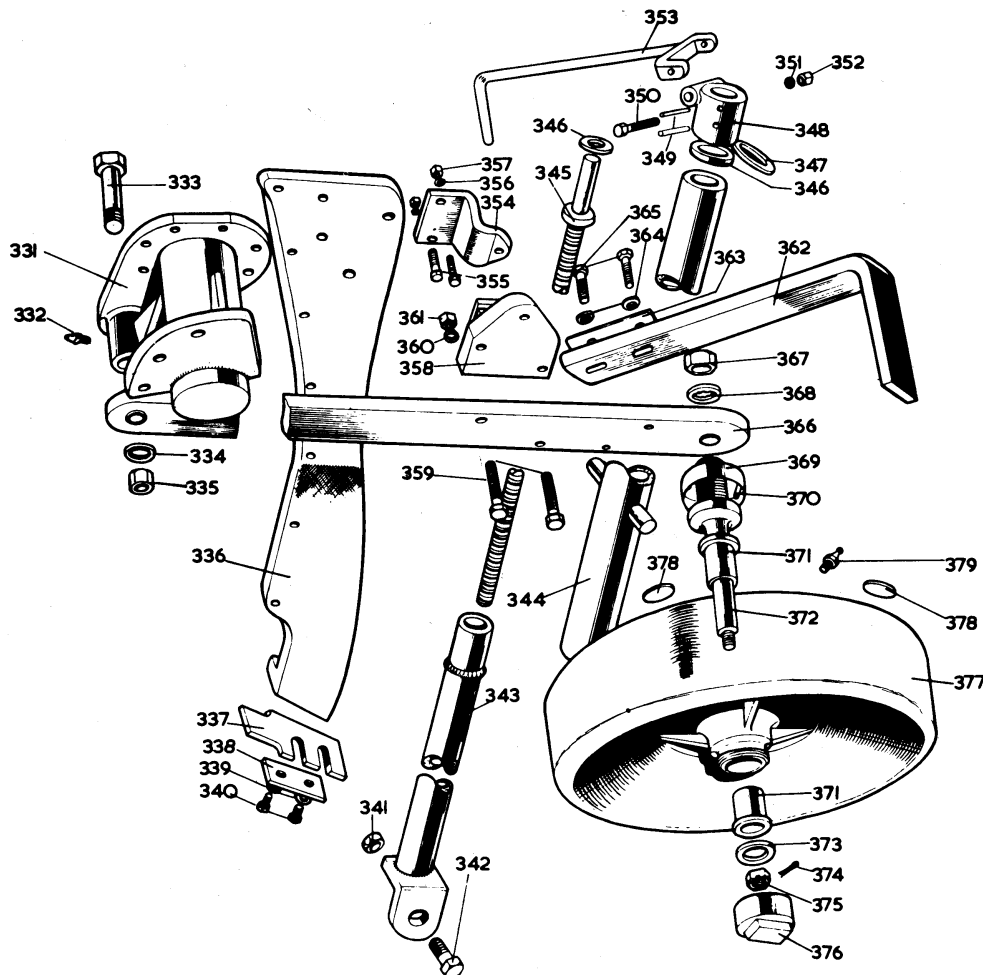
Illus. No.	Part No.	Description	No. off	Illus. No.	Part No.	Description	No. off
60	67935	Gearbox	1	IDLER GEAR ASSEMBLY			
61	203031190	Drain Plug ½" BSP. Square Head	1	139	67342	Gear Spindle	1
62	61021	Sideplate Gasket as required		140	61060	Clamping Disc	2
63	24634	Washer—No. 1385F.	1	141	61059	Idler Gear	1
64	61030	Dipstick	1	142	254090335	Ballbearing 40mm i.d. x 90mm o.d. x 33mm w. Double row—BRM. 040. D/R.	1
65	203032040	Breather Wool	1	143	67343	Special Nut	1
66 to 69	not allocated			144	208010220	Splitpin ⅛" dia. x 1 ⅜" long	1
70	64826	Base Plate	1	ROTOR DRIVE ASSEMBLY			
71	101406100	Setscrew, ⅜" UNC. x 1 ¼" long	4	145	208010250	Splitpin ⅛" dia. x 2 ¼" long	1
72	108061140	Spring Washer ⅜" dia.	4	146	61079	Special Nut	1
73	64830	Top Mast	1	147	61081	Rotor Drive Gear	1
74	64832	Tube	1	148	208001220	Circlip 4 ¼" dia. Internal	1
75	101110300	Bolt ⅝" UNF. x 3 ¾" long	1	149	251742111	Ballbearing 1 ¾" i.d. x 4 ¼" o.d. x 1 ⅛" w. BRM. 1 ¾"	1
76	108101740	Spring Washer ⅝" dia.	1	150	61080	Bearing Spacer	1
77	107110010	Nut ⅝" UNF.	1	151	262721031	Oilseal 2 ⅛" i.d. x 2 ¾" o.d. x ⅛" w. Pioneer 11P.275.212.31	1
78	54435	Top Mast Spacer—for use with Category 2 Tractors only	1	152	61083	Dust Cover	1
79	50688	Draw Pin	1	153	61078	Rotor Drive Shaft	1
80	3912	Hook	3	154	61082	Rotating Cover	1
81	3913	Chain	2	155	61653	Tab Washer	3
82	60495	Clip Ring	1	156	69163	Special Bolt ⅞" UNF. x 7 ⅞" long	6
83	60495	Clip Pin	1	3 POINT ROTOR ASSEMBLY—STANDARD FITMENT			
84	66509	Tube Support PMU only	2	157	61171	Rotor 40" Model	1
	61025	Tube Support PG 70" only	2		61669	Rotor 50" Model	1
85	101108340	Bolt ½" UNF. x 4 ¼" long	1		64727	Rotor 60" Model	1
86	108081440	Spring Washer ½" dia.	3		68055	Rotor 70" Model	1
87	107108010	Nut ½" UNF.	3			40" 50" 60" 70"	
88	101308120	Setscrew, Tube Support to Staytube ½" UNF. x 1 ½" long	2	158	9923*	Blade R.H. Universal } 12 15 18 21	
89	68177	R.H. Sideplate	1	159	9924*	Blade L.H. Universal } 12 15 18 21	
90	68179	Cap	1	158	9954*	Speed Blade R.H. } 12 15 18 21	
91	101406080	Setscrew, ⅜" UNC. x 1" long	6	159	9953*	Speed Blade L.H. } 12 15 18 21	
92	108061140	Spring Washer ⅜" dia.	4	160	9849	Blade Bolt 48 60 72 84	
93	108061130	Shakeproof Washer ⅜" dia. Internal	2	161	108071220	Spring Washer 7 ⅞" dia. 48 60 72 84	
94	64735	Clip Bracket	1	162	61188	Special Nut 48 60 72 84	
95	101206120	Bolt ⅜" UNC. x 1 ½" long	2	*Alternative fitments			
96	108061140	Spring Washer ⅜" dia.	2	STUB AXLE ASSEMBLY			
97	64736	Chain Clip	1	169	101306070	Setscrew, ⅜" UNF. x 7 ⅞" long	6
98	64737	Strip	1	170	61653	Tab Washer	3
99	101105120	Bolt ⅝" UNF. x 1 ½" long	1	171	61086	Outer Dust Cover	1
100	108050940	Spring Washer ⅝" dia.	1	172	64224	Stub Axle	1
101	107105010	Nut ⅝" UNF.	1	173	262516031	Oilseal 1 ⅝" i.d. x 2 ½" o.d. x ⅝" w. Pioneer 11P.250.162.31	1
102	101306100	Setscrew, ⅜" UNF. x 1 ¼" long	1	174	61089	Bearing Housing	1
103	108061140	Spring Washer ⅜" dia.	1	175	61087	Inner Dust Cover	1
104	107106010	Nut ⅜" UNF.	1	176	251128081	Ballbearing 1 ⅝" i.d. x 2 13 16" o.d. x 13 16" w. BRM. 1 ⅝"	1
JACKSHAFT ASSEMBLY				177	208002070	Circlip 1 ⅝" dia. External	1
105	3154	Special Nut	1	178	61680	Packing Shim .010 as required	
106	3155	Tab Washer	1	179	61091	Packing Shim .005 as required	
107	61032	Crownwheel	1	180	61092	End Plate	1
108	252045111	Ballbearing 2" i.d. x 4 ½" o.d. x 1-1 16" w. BRM. 2	1	181	202030020	Grease Nipple ⅛" BSP. No. NA.5704	1
109	64807	Sleeve	1	182	101106110	Bolt ⅜" UNF. x 1 3 8" long	4
110	262720021	Oilseal 2" i.d. x 2 ¾" o.d. x ¼" w. Pioneer type 11.P.275.200.25	1	183	10806140	Spring Washer ⅜" dia.	4
111	64543	Jackshaft Housing—40" P.	1	184 to 200	not allocated		
	68009	Jackshaft Housing—50" P.	1	DEPTH CONTROL ASSEMBLY—FOR P MODELS ONLY FOR PG SEE PAGE 4			
	68022	Jackshaft Housing—60" P.	1	201	50476	Adjusting Bar	1
	68034	Jackshaft Housing—70" P.	1	202	50477	Adjusting Stop	1
	64815	Jackshaft Housing—70" PG.	1	203	54228	Lever	1
112	101406080	Setscrew, ⅜" UNC. x 1" long	8	204	108081450	Spring Washer ½" dia. Double Coil	1
113	108061140	Spring Washer ⅜" dia.	8	205	101208300	Bolt ½" UNC. x 3 ¾" long	1
114	131304040	Grub Screw ¼" UNF. x ½" long, Hex. Socket, Flat Point	2	206	61069	Wheel Arm	1
115	61677	Gasket	1	207	202030120	Grease Nipple ⅛" BSP. Tec. NA.5799	1
116	251435094	Roller Bearing 1 3 8" i.d. x 3 ½" o.d. x 7 8" w. RPM. 1 3 8"	1	208	101108180	Bolt ½" UNF. x 2 ¼" long	1
	61036	Spacer	1	209	107108020	Locknut ½" UNF.	1
118	61037	Jackshaft Gear	1	210	61070	Fulcrum Lug	1
119	64546	Jackshaft—40" P.	1	211	101108400	Bolt ½" UNF. x 5" long	1
	64788	Jackshaft—50" P.	1	212	107108020	Locknut ½" UNF.	1
	68024	Jackshaft—60" P.	1				
	68037	Jackshaft—70" P.	1				
	64816	Jackshaft—70" PG.	1				
120	3155	Tab Washer	1				
121	3154	Special Nut	1				
122 to 138	not allocated						

HOWARD ROTAVATOR P SERIES - Parts List

Illus. No.	Part No.	Description	No. off	Illus. No.	Part No.	Description	No. off
213	209001290	Wheel 12" x 2 1/2" Code No. H/HG.12RB.	1	267	66248	Lift Rod Adaptor—for Ferguson 35 Vineyard Tractors only	2
214	202030360	Grease Nipple 1/4" BSF. Tec. NC.6057	1				
215	G.711	Key	1		68913	Mounting Lug—for Ferguson 130 Vineyard Tractor	2
216	61071	Axle	1	268-270 not allocated			
217	69158	Shim .005"	1	SUPPORT ARM ASSEMBLY			
	69159	Shim .010"	1				
	69160	Shim .015"	1				
218	61072	Thrust Washer	2	271	61017	Blade Setting Bar	1
219	61073	Dust Cover	2	272	61048	Support Arm	1
220	107212050	Nut 3/4" UNC. Slotted	1	273	101308120	Setscrew, Support Arm to Staytube 1/2" UNF. x 1 1/2" long	5
221	208010310	Splitpin 5/32" dia. x 1 1/4" long	1	274	101108140	Bolt, Support Arm, Staytube to shield 1/2" UNF. x 1 3/4" long	1
222	108122030	Shakeproof Washer 3/4" dia. Internal	1		108081610	Flat Washer 1/2" dia. ... as required	
223	107212010	Nut 3/4" UNC.	1	275	108081440	Spring Washer 1/2" dia.	6
BACKPLATE AND GEARCASE ASSEMBLY				276	107108010	Nut 1/2" UNF.	6
224	67486	Gearcase	1	277	67612	Side Shield—Home Market only	1
225	52033	Filler Plug 1/2" BSP. Sq. Head	1	278	61052	Shield Support R.H.—Export Market only	1
226	203032040	Breather Wool	1	279	101306080	Setscrew, Shield Support to Shield 3/8" UNF. x 1" long	1
227	203031160	Plug 1/8" BSP. Sq. Head	1	280	101306080	Setscrew, Side Shield to Support Arm 3/8" UNF. x 1" long—Home Market only	1
228	61056	Gasket	1	280	101306100	Setscrew, Shield Support to Support Arm 3/8" UNF. x 1 1/4" long—Export Market only	1
229	67485	Backplate	1	281	108061140	Spring Washer 3/8" dia.	2
230	101306070	Setscrew, 3/8" UNF. x 7/8" long	12	282	107106010	Nut 3/8" UNF.	2
230	101306070	Setscrew, 3/8" UNF. x 7/8" long—PG 70"	9	283	61053	Cutter Blade R.H.	1
231	101306100	Setscrew, 3/8" UNF. x 1 1/4" long	4	284	5807	Backing Strip	1
231	101306100	Setscrew, 3/8" UNF. x 1 1/4" long—PG 70"	8	285	108061130	Shakeproof Washer 3/8" dia. Internal	2
	101106140	Bolt 3/8" UNF. x 1 3/4" long—PG 70"	1	286	101306070	Setscrew, 3/8" UNF. x 7/8" long	2
232	108061140	Spring Washer 3/8" dia.	16	287	50476	Adjusting Bar	1
232	108061140	Spring Washer 3/8" dia. PG 70"	18	288	50477	Adjusting Stop	1
233	107106010	Nut 3/8" UNF.	16	289	54228	Adjusting Bar Lever	1
233	107106010	Nut 3/8" UNF. PG 70"	18	290	108081450	Spring Washer 1/2" dia. Double Coil	1
234	61064	Weed Cutter Bracket	1	291	101208180	Bolt, 1/2" UNC. x 2 1/4" long	1
235	61065	Weed Cutter Blade	1	292	101308100	Setscrew, Skid to Adjusting Bar 1/2" UNF. x 1 1/4" long	1
236	3678	Backing Strip	1	293	107108020	Locknut 1/2" UNF.	1
237	108061130	Shakeproof Washer 3/8" dia. Internal	2	294	67616	Skid R.H.—Home Market only	1
238	101306060	Setscrew 3/8" UNF. x 3/4" long	2		61049	Skid R.H.—Export Market only	1
239	61063	Ground Skid	1	295	61050	Sole Plate	1
240	101306100	Setscrew, 3/8" UNF. x 1 1/4" long	2	296	61051	Special Bolt	4
241	108061140	Spring Washer 3/8" dia.	2	297	108071240	Spring Washer 7/16" dia.	4
242	107106010	Nut 3/8" UNF.	2	298	107107010	Nut 7/16" UNF.	4
243	101308100	Setscrew, Fulcrum Lug to Backplate 1/2" UNF. x 1 1/4" long (not required for PG 70")	1	299	101308120	Bolt, Skid to Support Arm 1/2" UNF. x 1 1/2" long	1
244	101108160	Bolt, Backplate, Staytube, Fulcrum Lug 1/2" UNF. x 2" long	1	300	107108030	Philidas Nut 1/2" UNF. Ref. NUF1	1
245	101308120	Bolt, Backplate to Staytube 1/2" UNF. x 1 1/2" long	7	SHIELD ASSEMBLY			
245	101108160	Bolt 1/2" UNF. x 2" long for 70" PG.	8	301	61169	Shield—40" Model	1
246	108081440	Spring Washer 1/2" dia.	9		61667	Shield—50" Model	1
247	107108010	Nut 1/2" UNF.	9		64715	Shield—60" Model	1
248	61058	Jackshaft Housing Stud	8		68042	Shield—70" Model	1
249	108061140	Spring Washer 3/8" dia.	8	302	64242	Trailing Board—40' P.	1
250	107106010	Nut 3/8" UNF.	8		68013	Trailing Board—50' P.	1
					68027	Trailing Board—60' P.	1
					68043	Trailing Board—70' P.	1
					68067	Trailing Board—70" PG.	1
STAYTUBE ASSEMBLY							
251	68194	Staytube 40" P.	1				
	68011	Staytube 50" P.	1				
	68026	Staytube 60" P.	1				
	68040	Staytube 70" P.	1				
	68406	Staytube 70" PG.	1				
252	68189	'U' Bolt	2				
253	108081440	Spring Washer 1/2" dia.	4				
254	107108010	Nut 1/2" UNF.	4				
252	68189	'U' Bolt	1				
253	108081440	Spring Washer 1/2" dia.	2				
254	107108010	Nut 1/2" UNF.	2				
255	68185	Mounting Lug L.H.	1	303	50724	Hinge	40" 2 50" 3 60" 3 70" 4
	68430	Mounting Lug L.H. for 70" PG only	1	304	10138080	Bolt 1/2" UNF. x 1" long	8 12 12 16
256	68186	Mounting Lug R.H.	1	305	108081430	Shakeproof Washer 1/2" dia. Internal	8 12 12 16
	68429	Mounting Lug R.H. for 70" PG only	1	306	107108010	Nut 1/2" UNF.	8 12 12 16
257	101110160	Bolt 5/8" UNF. x 2" long	4	307	54408	Plate	1
258	108101740	Spring Washer 3/8" dia.	4	308	54397	Hook	1
259	107110010	Nut 3/8" UNF.	4	309	101306100	Setscrew, 3/8" UNF. x 1 1/4" long	2
	68202	Vineyard Mounting Bracket Assembly comprising:—		310	101306080	Setscrew, 3/8" UNF. x 1" long	2
260	68203	Mounting Bracket	1	311	108061130	Shakeproof Washer 3/8" dia.	4
261	67629	Shim	1	312	107106100	Nut 3/8" UNF.	4
262	67630	Draw Pin	2	313	64803	Centre Stay	1
263	50934	Clip Pin	2	314	54251	Stay	2
264	60495	Clip Ring	2	315	101306100	Setscrew 3/8" UNF. x 1 1/4" long	1
265	3912	Hook	2	316	108061140	Spring Washer 3/8" dia.	1
266	3913	Chain	2	317	107106010	Nut 3/8" UNF.	1

HOWARD ROTAVATOR P SERIES - Parts List

Illus. No.	Part No.	Description	No. off	Illus. No.	Part No.	Description	No. off
STABILISER ASSEMBLY FOR FIAT 231R TRACTOR							
62976		Stabiliser	1	349	208012070	Tension Pin 1/4" dia. x 1 1/4" long	2
301220550		Bolt 20mm dia. x 2.5mm pitch x 55mm long	2	350	101206180	Bolt 3/8" UNC. x 2 1/4" long	1
307220010		Nut 20mm dia. x 2.5mm pitch	2	351	108061140	Spring Washer 3/8" dia.	1
		Spring Washer 20mm dia.	2	352	107206020	Locknut 3/8" UNC.	1
				353	3448	Handle	1
STABILISER ASSEMBLY FOR BRISTOL 25 TRACTOR							
65482		Fixed Top Link	1	354	65661	Trunnion Support Cranked	1
65483		Stabiliser Block R.H.	1	355	101406120	Setscrew, 3/8" UNC. x 1 1/2" long	2
65484		Stabiliser Block L.H.	1	356	108061140	Spring Washer 3/8" dia.	2
101107140		Bolt 7/16" UNF. x 1 1/4" long	4	357	107206010	Nut 3/8" UNC.	2
108071240		Spring Washer 7/16" dia.	4	358	68397	Clevis	1
318 to 330 not allocated							
DEPTH CONTROL ASSEMBLY—FOR 70" PG ONLY							
331	68400	Staytube Extension	1	359	101208180	Bolt 1/2" UNC. x 2 1/4" long	2
332	202030420	Grease Nipple 1/4" BSF. NA.5700/1	1	360	108081440	Spring Washer 1/2" dia.	2
333	101216355	Bolt 1" UNC. x 4 3/8" long Cadmium Plated	1	361	107208010	Nut 1/2" UNC.	2
334	108162630	Shakeproof Washer 1" dia. Internal	1	362	65664	Wheel Scraper	1
335	107216020	Locknut 1" UNC.	1	363	66073	Plate	1
336	68396	Anchor Plate	1	364	108081430	Shakeproof Washer 1/2" dia. Internal	2
337	61065	Weed Cutter Blade	1	365	101408120	Setscrew, 1/2" UNC. x 1 1/2" long	2
338	3678	Backing Strip	1	366	68395	Wheel Arm	1
339	108061130	Shakeproof Washer 3/8" dia. Internal	2	65666	Depth Control Axle Assembly	1	
340	101306060	Setscrew 3/8" UNF. x 3/4" long	2	comprising:—			
341	107210020	Locknut 3/8" UNC.	1	367	107216010	Nut 1" UNC.	1
342	101410120	Bolt 5/8" UNC. x 1 1/2" long	1	368	108162630	Shakeproof Washer 1" dia. Internal	1
343	65651	Inner Tube	1	369	65667	Dust Cover	1
344	65657	Outer Tube	1	370	208009190	Nib	1
345	65654	Screw	1	371	3701	Bush	2
346	65650	Thrust Washer	1	372	65668	Axle	1
347	108122410	Flat Washer 3/4" dia.	2	373	3703	Washer	1
348	55481	Handle Block	1	374	208010140	Splitpin 3/32" dia. x 1" long	1
				375	107208050	Slotted Nut 1/2" UNC.	1
				376	3706	Cap	1
				52389		Depth Control Wheel Assembly	1
				comprising:—			
				377	51808	Depth Control Wheel	1
				378	52441	Welsh Plug	3
				379	202030020	Grease Nipple 1/8" BSP. Tec. NA.5704 Straight	1



NUMERICAL PARTS LIST



Part No.	Illus. No.	Part No.	Illus. No.	Part No.	Illus. No.	Part No.	Illus. No.	Part No.	Illus. No.	Part No.	Illus. No.
711	215	61070	210	64815	111	68913	267	107106010	317	202030020	181
3154	105	61071	216	64816	119	69158	217	107107010	298	202030020	379
3154	121	61072	218	64826	70	69159	217	107108010	12	202030120	207
3155	106	61073	219	64832	74	69160	217	107108010	87	202030360	214
3155	120	61078	153	65482	N.1.	69163	156	107108010	247	202030420	332
3196	N.1.	61079	146	65483	N.1.	69335	56	107108010	254	203031160	227
3448	353	61080	150	65484	N.1.	69336	56	107108010	276	203031190	61
3678	236	61081	147	65650	346	69337	56	107108010	306	203032040	65
3678	338	61082	154	65651	343	69667	160	107108020	209	203032040	226
3701	371	61083	152	65654	345	700300	2	107108020	212	204008130	7
3703	373	61086	171	65657	344	700302	4	107108020	293	204008450	4
3706	376	61087	175	65661	354	700304	4	107108030	300	204008460	7
3912	80	61089	174	65664	362	101105120	99	107110010	77	204008490	7
3913	81	61091	179	65666	367	101106110	182	107110010	259	204009250	9
3913	266	61092	180	65667	369	101106140	231	107206010	357	204009280	8
5025	14	61159	21	65668	372	101107140	N.1.	107206020	352	204009730	8
5807	284	61169	301	66073	363	101108140	274	107208010	361	204009740	9
9923	158	61171	157	66248	267	101108160	244	107208050	375	204010030	3
9924	159	61179	16	66509	84	101108160	245	107210020	341	204010210	2
9953	159	61188	162	67342	139	101108340	85	107212010	223	204010250	2
9954	158	61598	N.1.	67343	143	101108400	211	107212050	220	204010420	2
24634	63	61652	19	67485	229	101110160	257	107216010	367	204010530	2
50476	201	61653	155	67486	224	101110300	75	107216020	335	204010540	3
50476	287	61653	170	67612	277	101206120	34	108050940	100	204011270	5
50477	202	61658	15	67616	294	101206120	95	108061130	35	204011280	6
50477	288	61667	301	67629	261	101206180	350	108061130	93	204011300	10
50688	79	61669	157	67630	262	101208180	291	108061130	237	204011550	4
50724	303	61677	115	67903	50	101208180	359	108061130	285	204011600	6
50934	83	61806	16	67904	51	101208300	205	108061130	311	204011890	5
50934	263	62536	11	67905	53	101216355	333	108061130	339	204011900	5
51151	31	62790	2	67935	60	101306060	238	108061140	37	204011910	10
51808	377	62791	2	68009	111	101306060	340	108061140	56	204011940	10
52033	225	62792	2	68011	251	101306070	169	108061140	72	204011950	10
52389	377	62793	2	68013	302	101306070	230	108061140	92	204011960	4
52441	378	62976	N.1.	68022	111	101306070	286	108061140	96	204011980	10
54228	203	62983	48	68024	119	101306080	279	108061140	103	204011990	10
54228	289	62984	49	68026	251	101306080	280	108061140	113	208001220	148
54251	314	62995	18	68027	302	101306080	310	108061140	183	208001320	44
54397	308	64224	172	68034	111	101306100	102	108061140	232	208002070	177
54408	307	64242	302	68037	119	101306100	231	108061140	241	208002090	47
54435	78	64526	45	68040	251	101306100	240	108061140	249	208009190	370
55481	348	64530	38	68042	301	101306100	280	108061140	281	208010140	374
56184	17	64532	48	68043	302	101306100	309	108061140	316	208010220	144
56185	20	64533	48	68055	157	101306100	315	108061140	351	208010230	54
60954	1	64534	48	68067	302	101308080	304	108061140	356	208010250	145
61017	271	64535	48	68177	89	101308100	243	108071220	161	208010290	32
61021	62	64536	49	68179	90	101308100	292	108071240	297	208010310	221
61025	84	64537	49	68185	255	101308120	88	108081430	305	208012070	349
61030	64	64538	49	68186	256	101308120	245	108081430	364	208031010	58
61032	107	64539	33	68189	252	101308120	273	108081440	86	209001290	213
61036	117	64541	39	68194	251	101308120	299	108081440	246	251128081	176
61037	118	64542	42	68202	260	101406060	56	108081440	253	251435094	116
61048	272	64543	111	68203	260	101406080	36	108081440	275	251742111	149
61050	295	64546	119	68395	366	101406080	91	108081440	360	252045111	108
61051	296	64705	56	68396	336	101406080	112	108081450	204	253580211	43
61052	278	64706	55	68397	358	101406100	71	108081450	290	253580217	46
61053	283	64715	301	68400	331	101406120	355	108081610	13	254090232	52
61056	228	64727	157	68406	251	101408120	365	108081610	274	254090335	142
61058	248	64729	57	68429	256	101410120	342	108101740	76	262516031	173
61059	141	64735	94	68430	255	107105010	101	108101740	258	262720021	110
61060	140	64736	97	68455	48	107106010	104	108122030	222	262720041	40
61063	239	64737	98	68456	49	107106010	233	108122410	347	262721031	151
61064	234	64788	119	68457	48	107106010	242	108162630	334	301220550	N.1.
61065	235	64803	313	68458	49	107106010	250	108162630	368	307220010	N.1.
61065	337	64807	109	68459	48	107106010	282	131304040	114		
61069	206	64808	59	68460	49	107106010	312	202023370	41		



Following Howard policy of continuous improvement, the Company reserves the right to amend model specifications and prices at any time without notice.